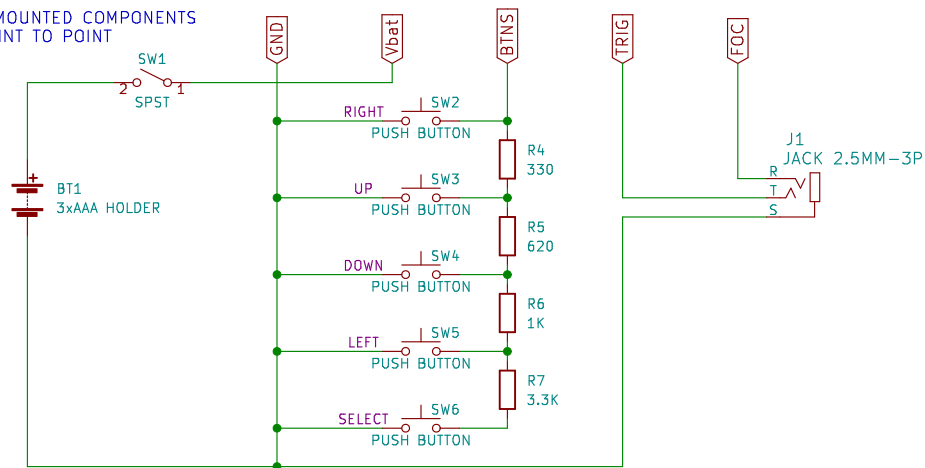


**CHASSIS MOUNTED COMPONENTS
WIRED POINT TO POINT**



Camera Intervalometer

Sheet: /
File: intervalometer.sch

Title: LRTimelapse Pro-Timer Free compatible, 3.3V Pro Mini based

Size: USLetter Date: 2017-08-08

KiCad E.D.A. kicad 4.0.7-e1-637458ubuntu16.04.1

Rev: 1.0

Id: 1/1